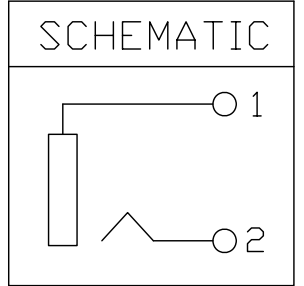
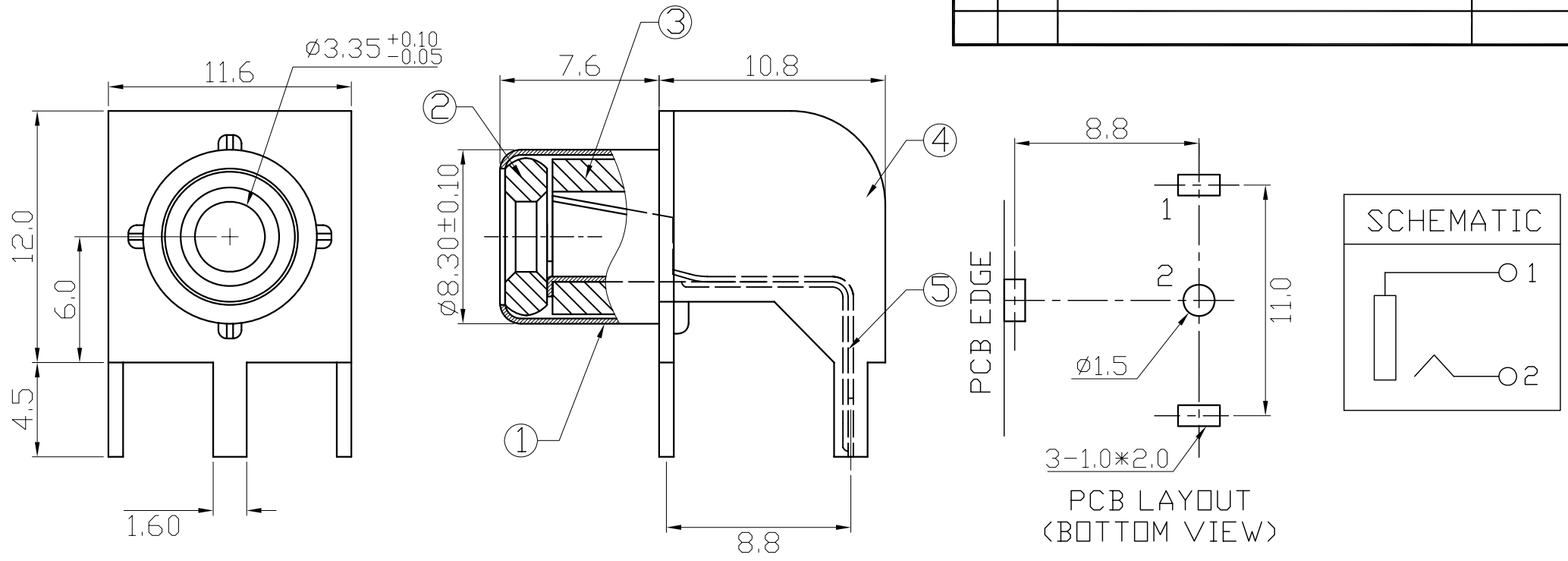


REV	ZONE	REVISION	DATE



Specification:
 Contact Resistance: 30m Ohm. Max. At AC 100mA Max.1KHz.
 Insulation Resistance: 100M Ohm Min. At 500V DC.
 Rated Voltage And Current: DC 12V,2A Max ; AC 100V,1A Max.
 Dielectric Withstanding Voltage: 500VAC At 60Hz For 1 Minute.
 Durability (Life Test): 4000 Cycles.
 Insertion Force: 0.3~3.0 Kg.
 Extraction Force: 0.3~3.0Kg.



NO.	NAME	MATERIAL	FINISH	Q'TY
1	BARREL	C.R.S T:0.30	GOLD PLATED	1
2	RING	PBT G.F.	BLACK	1
3	INSULATOR	PBT G.F.	WHITE	1
4	BRACKET	C.R.S T:0.70	GOLD PLATED	1
5	TERMINAL	BRASS T:0.25	GOLD PLATED	1



COMPUTER NO.			UNIT	SCALE	PART NAME	
D:\DWG\T-709G			mm	1:1	RCA JACK	
APPD.	CKD.	DWG.	DATE	TOLERANCE	PART NO.	REV.
		TINA	25-02-10	X. +0.38 .X +0.25 .XX +0.13 .XXX +0.05		A0

T-709G PAGE 1 OF 1