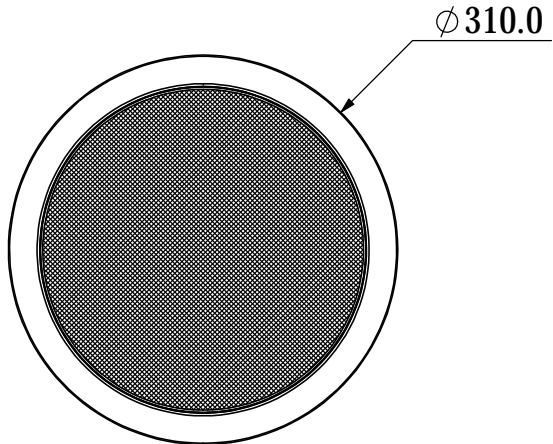
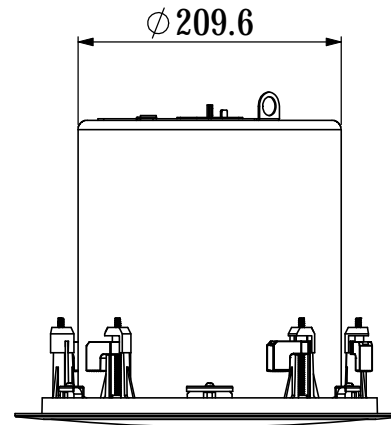
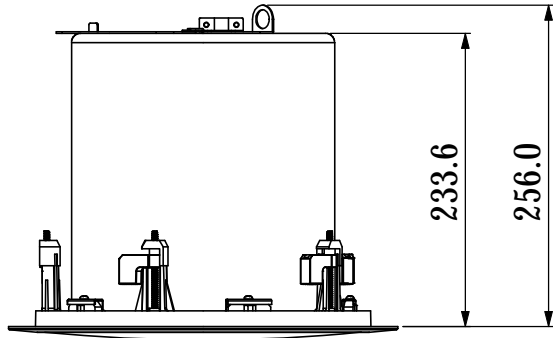
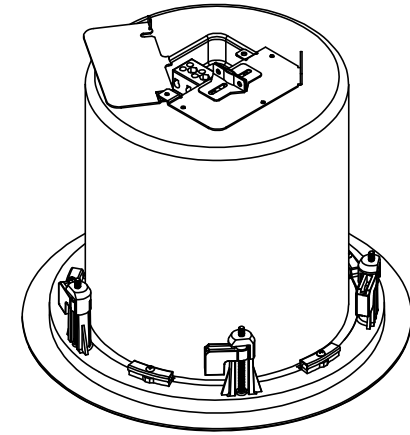
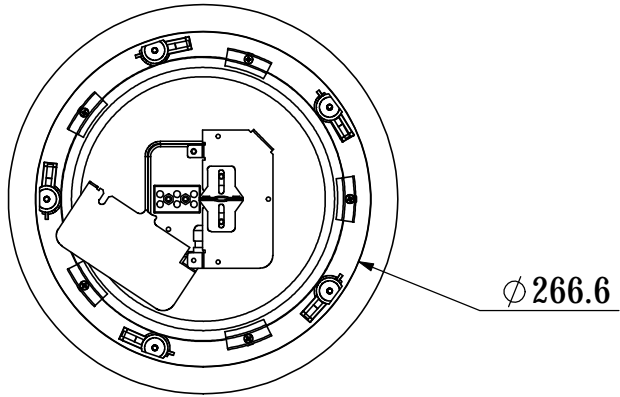


1 2 3 4 5 6 7 8

A
B
C
D
E
F



		
ESUB-6C/WS PA Ceiling Speaker/Subwoofer		
Outline Scale Drawing		
ESUB_6C_WS_OUTLINE.pdf	19.10.2017	GR